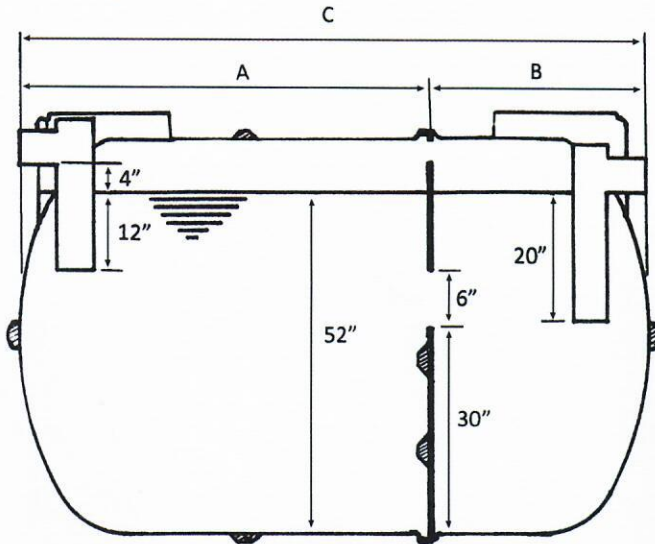
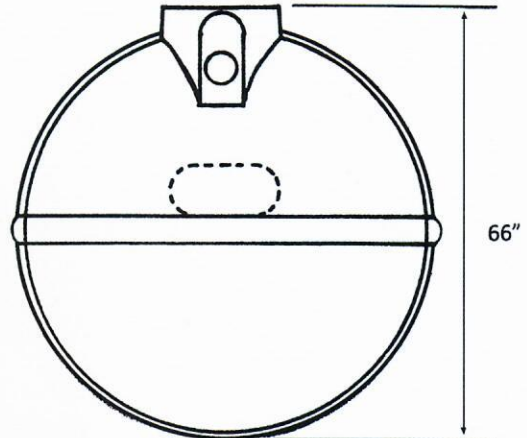


SEPMASTER

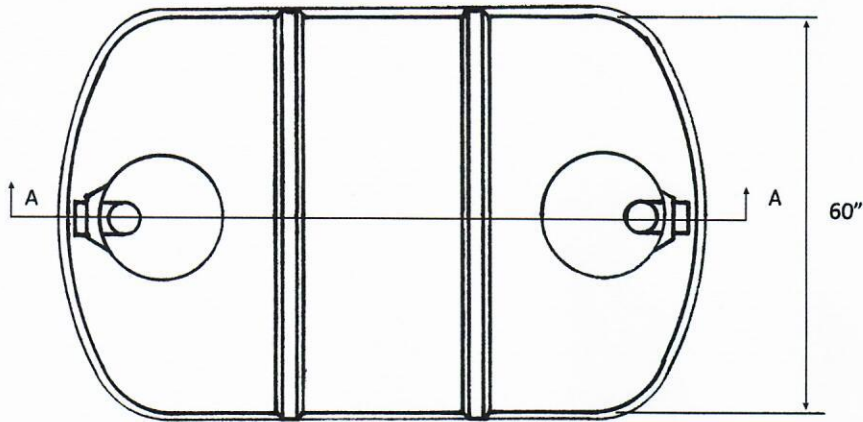
Specifications



SECTION AA



END VIEW



PLAN

CAPACITY Litres (US Gallons)	No. Of Bedrooms	TANK DIMENSIONS		
		A inches	B inches	C inches
2800 (750)	2	48	28	76
3400 (900)	3	60	32	92
4150 (1100)	4	76	32	108
4900 (1300)	5	94	32	126