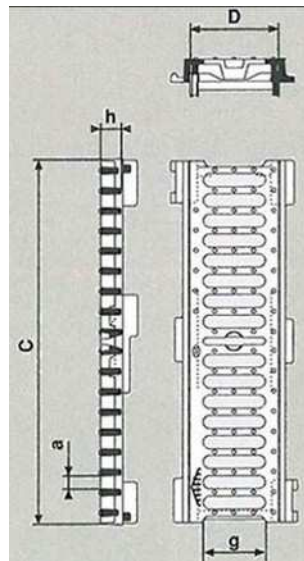


Channel Grating 500x124 Classes C250, D400, E600



	Dimension	CxD	a	g	Weight	Waterway Area	Reference for grate only
Classe	mm	m	mm	mm	mm	kgdm ²	
E600	500x124	18	86	28.4	4.8	2.6	EECL12PX
D400	500x124	18	86	28.5	4.8	2.6	EDCL51PX
C250	500x124	18	102	20.0	3.5	3.5	ECCL12PX

Materials and Coating

Designation	Material	Coating
Grating	Ductile iron EN GJS 400-15	Bituminous coating

Field of Application

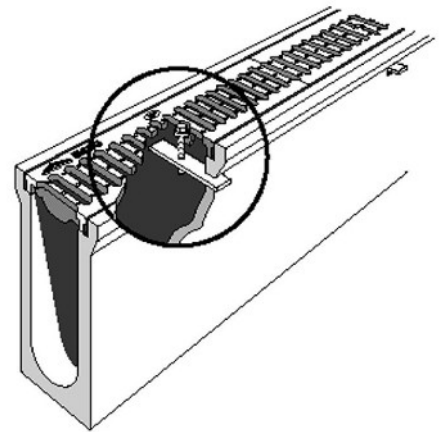
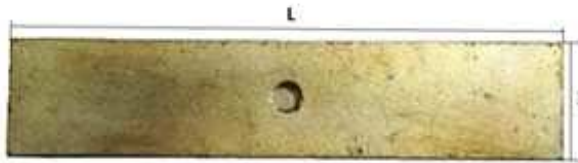
- These gratings can be installed in their frame or on gutters having pre-cast concrete rabbets (possible locking in the 2 cases)
- The traffic class must be selected depending on the location of installation
- Grating complying with the PMR regulation

Main characteristics

- Single grating
- Grating can be secured to gutters with the fixing system
- Same frame for the three traffic classes



Fixing system (Bar + Bolts)



L	I	Ep	Thread	Total weight	Set reference
<i>mm</i>	<i>mm</i>	<i>mm</i>	<i>mm</i>	<i>kg</i>	
138	30	5	M8	0.2	168044

Specificities

- To be totally locked in, the grating should be installed in its frame
- or on concrete rabbets (in this instance, a groove must be provided to insert the fixing bar as shown on the above drawing)

